

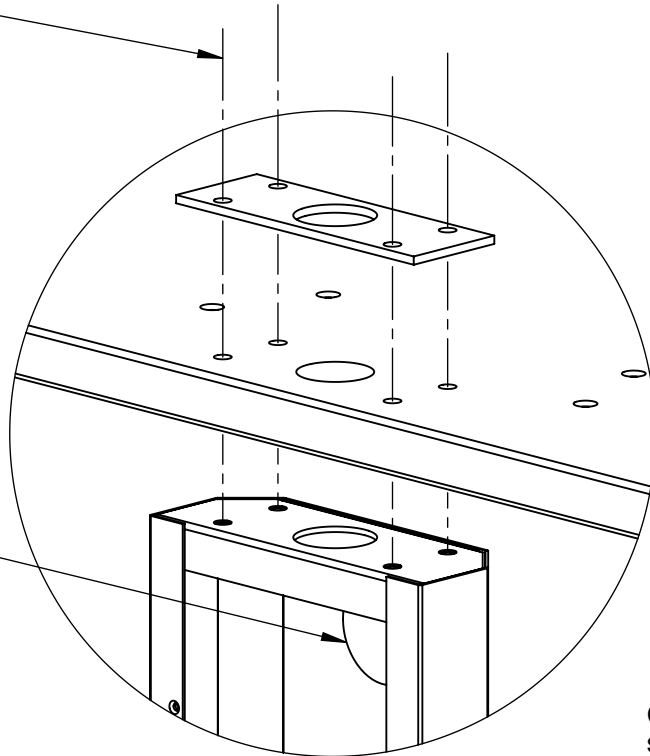
# STEP 1: TABLE AND MONITOR SUPPORT ASSEMBLY

## RECOMMENDED ASSEMBLY SEQUENCE:

1. Monitor Support
2. Electrical Enclosure, Power Cords, Outlet Strip
3. Trough / Control Box
4. Legs
5. Shelves
6. Back of Monitor Support

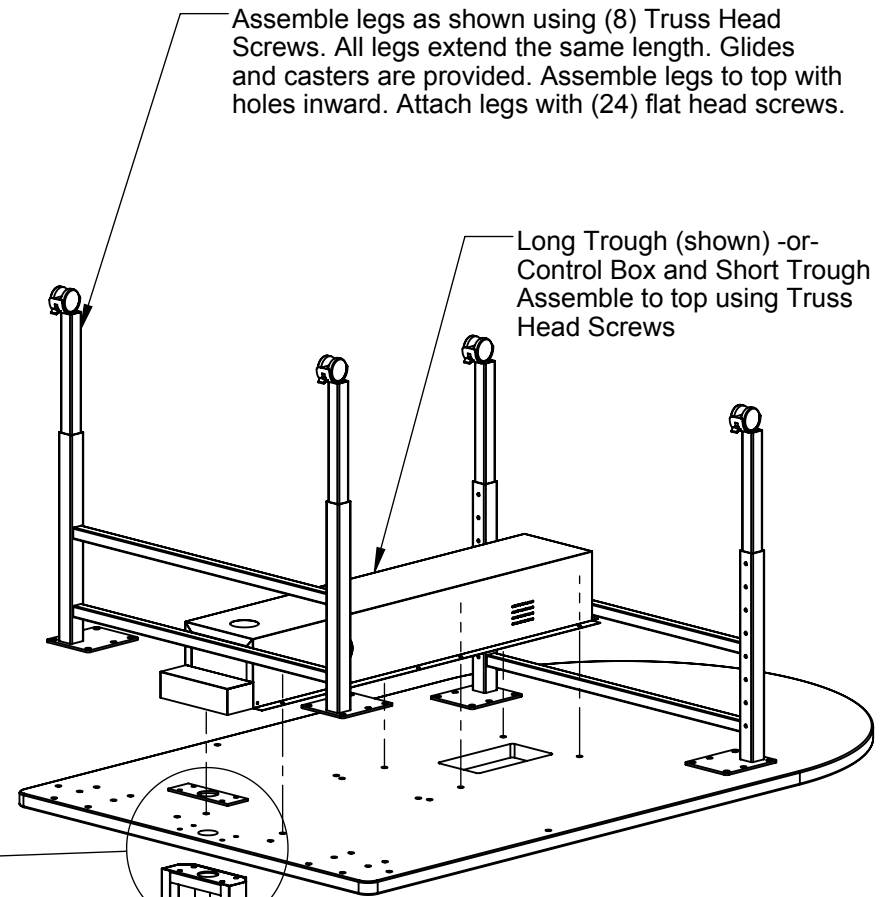
Bolt and Washer  
(4 ea)

Note location of  
knockout



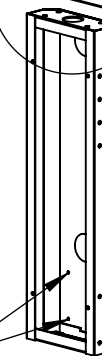
Assemble legs as shown using (8) Truss Head Screws. All legs extend the same length. Glides and casters are provided. Assemble legs to top with holes inward. Attach legs with (24) flat head screws.

Long Trough (shown) -or-  
Control Box and Short Trough  
Assemble to top using Truss Head  
Screws



**NOTE ORIENTATION  
OF MONITOR SUPPORT!**

Camera shelf holes  
should be furthest  
from worksurface!



**SHEET 1 OF 2**

## STEP 2: ASSEMBLY- SUPPORT AND MONITOR

