

SF660(P) SF660-AB/AW



Display size
39"-80"



Max load
200lb (90kg)

Additional Features

- ✓ Universal mount fits displays with mounting patterns up to 825 x 405mm (32.48" W x 15.95" H)
- ✓ Open wall plate design allows for total wall access, increasing electrical and cable management options
- ✓ Low-profile design holds display only 1.25" (32mm) from the wall for a low-profile application
- ✓ Horizontal display adjustment of up to 8" (203mm) (depending on display model) for perfect display placement
- ✓ Universal display adaptors easily hook onto wall plate for fast installation
- ✓ Mounts to wood studs, concrete, cinder block or metal studs (metal stud accessory required)
- ✓ Comes with fastener pack with all necessary display attachment hardware
- ✓ Integrated security options available
- ✓ Agion® antimicrobial* finish assists in controlling the spread of infections with SF660-AB/AW models
- ✓ Landscape to portrait mounting options increases installation versatility. Please check your display dimensions against the wall plate when used in portrait mode**.

*Antimicrobial protection is limited to the treated article and does not protect a user against disease causing bacteria. Always clean products thoroughly after each use. Visit agion-tech.com for more details.

**Requires display to be removed and reset on mount



SF660-AB/AW:



Patented. Utility Patent No. 7,823,850; 8,517,322.

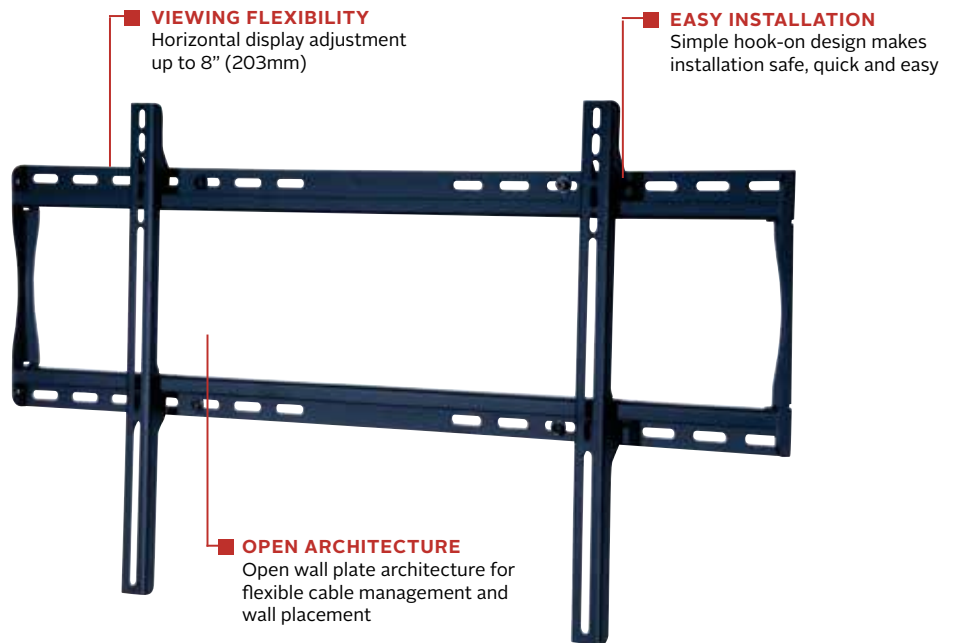
SMARTMOUNT.

Universal Flat Wall Mount

FOR 39" TO 80" DISPLAYS

The SF660 series delivers limitless placement opportunities with speed and ease. SF660's ultra-slim open wall plate architecture delivers display placement flexibility and enables easy electrical access and cable management. This ultra-slim mount is the ultimate solution for low-profile applications.

The SF660's low-profile design holds displays just 1.25" from the wall, perfect for almost any low-profile application.



Low-profile design holds display only 1.25" (32mm) from the wall

SF660P SmartMount® Universal Flat Wall Mount for 39" to 80" Displays - standard models
SF660(-AB/AW) SmartMount® Universal Flat Wall Mount for 39" to 80" Displays - security models

Product Specifications

	DIMENSIONS (W x H x D)	PRODUCT WEIGHT	LOAD CAPACITY	FINISH	AVAILABLE COLORS
SF660(-AB/AW)(P)	34.12" x 16.89" x 1.25" (867 x 429 x 32mm)	6.76lb (3kg)	200lb (90kg)	Matte	SF660(P): Black SF660-AB: Antimicrobial* black SF660-AW: Antimicrobial* white

*Antimicrobial protection is limited to the treated article and does not protect a user against disease causing bacteria. Always clean products thoroughly after each use. Visit agion-tech.com for more details.

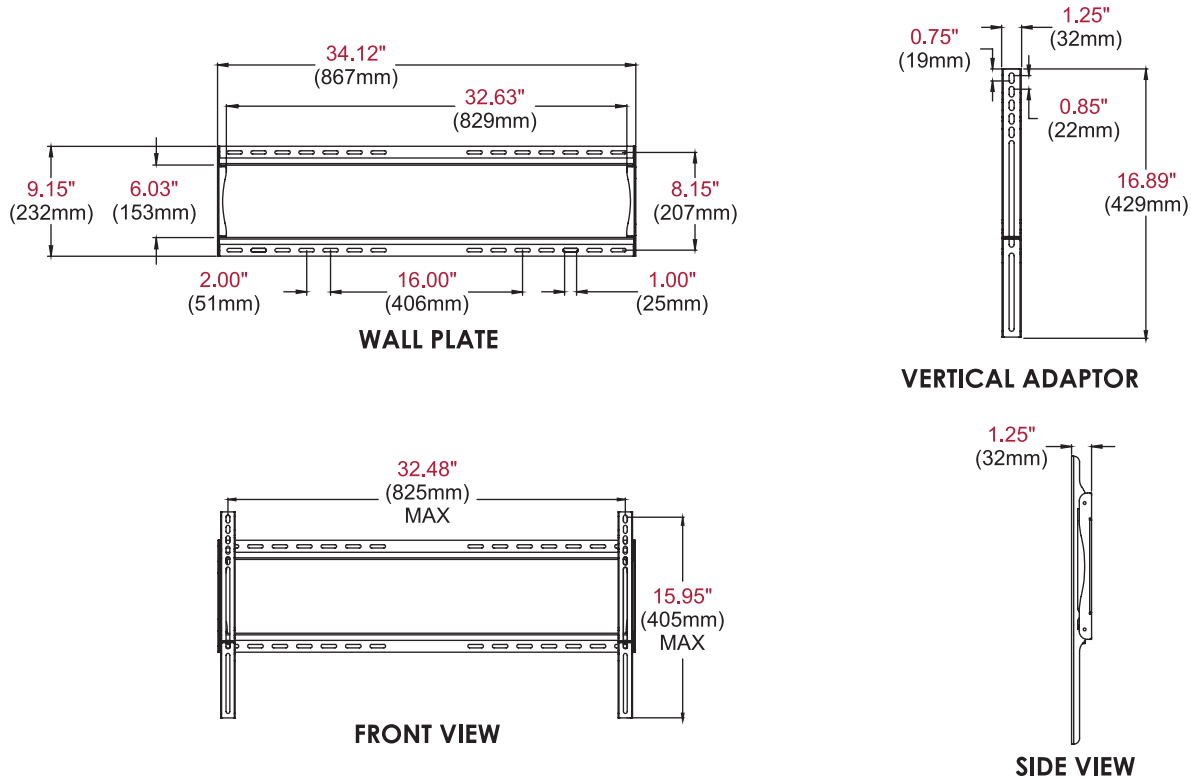
Package Specifications

	PACKAGE SIZE (W x H x D)	PACKAGE SHIP WEIGHT	PACKAGE UPC CODE	PACKAGE CONTENTS	UNITS IN PACKAGE
SF660(-AB/AW)(P)	35.25" x 10.06" x 3.50" (895 x 256 x 89mm)	9.4lb (4.26kg)	SF660: 735029235590 SF660P: 735029235620 SF660-AB: 735029283706 SF660-AW: 735029283713	Wall plate, universal brackets, mounting and display attachment hardware	1

Accessories

- ACC415:** 4-pack Metal Stud Fastener Kit
- ACC309:** Video Conference Shelf

All dimensions = inch (mm)



Architect Specifications

The Smartmount® Universal Flat Wall Mount shall be a Peerless-AV model SF660(-AB/AW)(P) and shall be located where indicated on the plans. Assembly and installation shall be done according to instructions provided by the manufacturer.

Visit peerless-av.com to see the complete line of AV solutions from Peerless-AV, including outdoor displays, wireless, kiosks, digital audio, display mounts, projector mounts, carts/stands, and a full assortment of accessories.

Peerless-AV
 2300 White Oak Circle
 Aurora, IL 60502 USA
(800) 865-2112
(630) 375-5100
Fax: (800) 359-6500

Peerless-AV Europe
 Unit 3 Watford Interchange
 Colonial Way, Watford
 Herts, WD24 4WP
 United Kingdom
+44 (0) 1923 200100
Fax: +44 (0) 1923 200101

Peerless-AV de México
 Ave de las Industrias 413
 Parque Industrial Escobedo
 Escobedo, N.L.,
 Mexico 66050
+52 (81) 8384-8300
Fax: +52 (81) 8384-8360

