

FL-910 Ultra Short Throw Lens

For 9000 Series Projectors



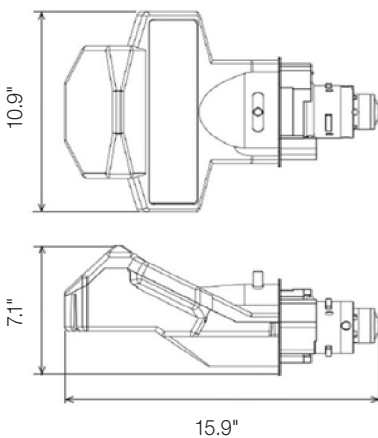
Ultra Short Throw Lens for 9000 Series Projectors



Specifications

Model	FL-910
F Number	2.0
Focal Length	5.3 mm
Dimensions (W x H x D)	10.9" x 7.1" x 15.9"
Weight	Approx. 6.6 lbs.
Applicable Projectors	9007WU 9007WU-WT 9008HD 9008HD-WT 9006W 9006W-WT 9005 9005-WT

Dimensions



11/16/15
All specifications subject to change without notice.

Projection Distance

Unit: (inches)

Model	Image Size (inch)	L1	L2	A1	A2
9007WU 9007WU-WT	100	32.67	4.33	14.96	21.65
	200	62.59	33.86	32.28	38.98
	300	92.51	63.8	49.21	55.91
	350	107.48	78.74	57.87	64.57
Aspect ratio 16:10 Throw Ratio 0.38	100	33.46	5.12	18.5	25.2
	200	64.17	35.83	39.37	46.06
	300	94.88	66.14	60.24	66.93
	350	110.23	81.5	70.47	77.17
9008HD 9008HD-WT	100	34.25	5.51	20.08	26.77
	200	65.74	37	42.91	49.61
	300	96.85	68.11	65.35	72.05
	350	112.59	83.86	76.38	83.07
Aspect ratio 16:9 Throw Ratio 0.38	100	32.28	3.54	14.17	20.87
	200	61.41	32.68	30.71	37.4
	300	90.55	61.81	47.24	53.94
	350	105.11	76.38	55.51	62.2
Aspect ratio 4:3 Throw Ratio 0.39	100	32.28	3.54	14.17	20.87
	200	61.41	32.68	30.71	37.4
	300	90.55	61.81	47.24	53.94
	350	105.11	76.38	55.51	62.2

