

Manual Series

Manual Pull-down screen with a dual case design for wall or ceiling installation



Pre-Installation

1. Carefully unpack the screen.
2. Always handle the screen in a leveled position on a clean surface.
3. In order to protect the screen from exposure to stains, keep the screen out of contact with foreign objects such as dust, saw dust, and/or liquids.

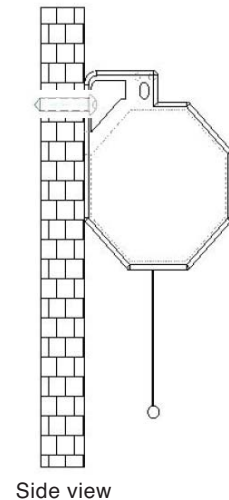
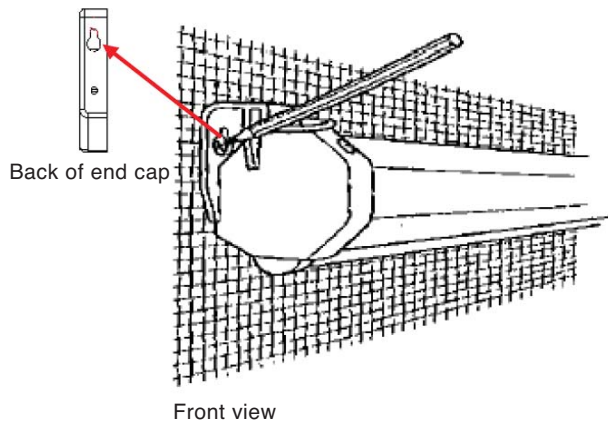


Note: Regardless of the mounting method, the screen should be securely supported so that when retracted, deployed, or even abusive pulling on the screen, the case will not become loose or fall. The installer must insure that the fasteners used are of adequate strength and suitable for the installation location.

Flush Mount to the Wall (Hardware not included)

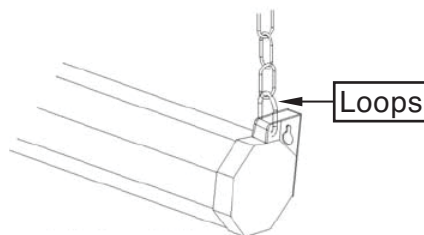
1. Mark the location of where the screen is to be installed and drill your holes.
2. Insert the proper screw and leave about 1/8" of an inch from the wall to mount the screen.
3. Mount your screen from the keyhole located on back of the screen's left and right end cap.

**Note: Do not remove the end caps to mount the screen to the wall.
Removing the end caps will release the tension of the internal spring mechanism.**

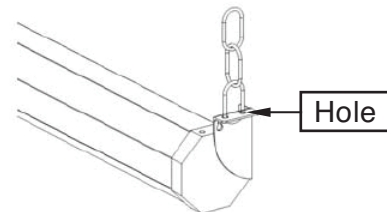


Suspended Ceiling using Chains (Hardware not included)

You can also hang the screen on a ceiling by using a chain (not included) and hang it by the two loops (models 71-120) located on each end of the case or by the ears of the end caps (models 135-170).

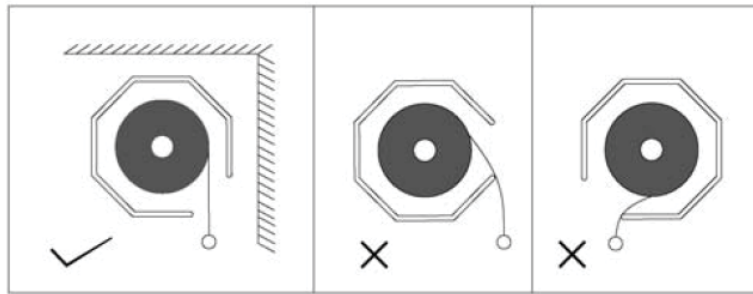


71"-120"

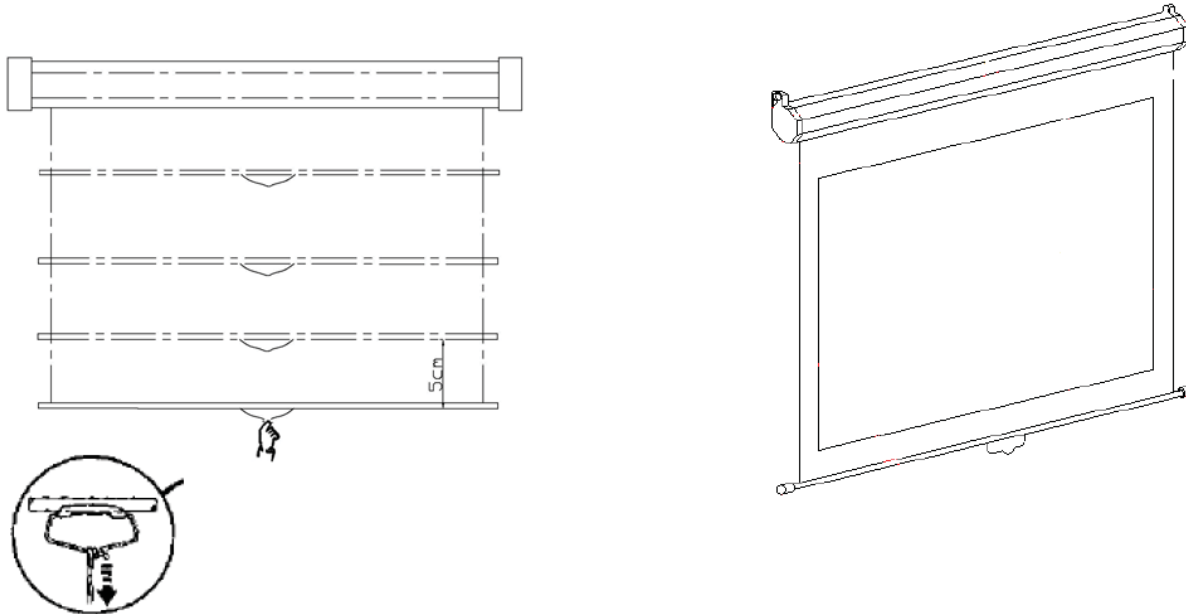


135"-170"

✓ Note: **Always** pull the screen down or retract in a 90-degree vertical angle. To avoid damaging the viewing surface, do not allow the viewing material to touch the screen case when deploying or retracting the unit.



1. Pull the screen down from the lanyard or from the handle only in a 90-degree angle. Do not attempt to pull the screen down by the surface, as it will damage the screen and void the warranty.
2. To retract the screen back into its case, simply pull the screen down more than 2 inches and let the screen retract by quickly and gently releasing it up.



✓ Note: The interval auto-lock mechanism system will cause the screen to stop and lock on the position at intervals.

Note: Always release the screen at a 90-degree angle and do not let go until the screen is entirely inside the case. Keep in mind the screen's mechanism is new and needs to be deployed/retracted a few times to loosen up. If the screen feels stuck, carefully, with a little force, yank the screen straight down to unlock the unit.

⚠ Note: Improper pulling on the screen to deploy/retract will damage material and/or the rolling system.

Maintenance

To clean the viewing material, use a soft cloth with mild soap and water. In order to keep the viewing surface clean, it is recommended to keep the screen retracted into its housing case when not in use.

Dimension Table

Model	Screen Diag. & Aspect Ratio	Case Length (A)	Screen Width (A1)	View Width (A2)	Weight Bar Length (A3)	Bottom Edge Distance (B4)	Screen Material to Weight Bar Height (B3)	View Height (B1)	Overall Height (B)	End Cap Height (B5)	End Cap Width (C)	Distance from Screen material to wall (C1)
M71S	71" (1:1)	1425	1351	1275	1421	62	1451	1275	1533	82	69	20
M85S	85" (1:1)	1677	1603	1527	1673	62	1703	1527	1785	82	69	20
M99S	99" (1:1)	1938	1854	1778	1934	62	1916	1778	2008	92	79.5	20
M113S	113" (1:1)	2192	2106	2030	2188	62	2206	2030	2298	92	79.5	20
M119S	119" (1:1)	2294	2210	2134	2290	62	2300	2137	2392	92	79.5	20
M136S	136" (1:1)	2598	2519	2443	2594	62	2619	2443	2711	92	79.5	20
M170S	170" (1:1)	3244	3124	3048	3240	62	3224	3048	3329	105	88	20
M94UWX	94" (1:1)	2192	2101	2025	2188	62	1441	1265	1523	82	69	20
M128UWX	128" (1:1)	2923	2833	2757	2919	62	1899	1723	1991	92	79.5	20
M80NWX	80" (4:3)	1786	1702	1626	1782	62	1395	1219	1477	82	69	20
M84NWX	84" (4:3)	1867	1783	1707	1863	62	1418	1280	1500	82	69	20
M100V	100" (4:3)	2166	2108	2032	2162	62	1700	1524	1782	82	69	20
M120V	120" (4:3)	2598	2514	2438	2594	62	2005	1829	2097	92	79.5	20
M135V	135" (4:3)	2907	2819	2743	2903	62	2233	2057	2338	105	88	20
M150V	150" (4:3)	3212	3124	3048	3208	62	2462	2286	2567	105	88	20
M84UWH	84" (16:9)	2014	1936	1860	2010	62	1222	1046	1304	82	69	20
M84H-E30	84" (16:9)	2014	1936	1860	2010	62	1870	1046	1952	82	69	20
M92UWH	92" (16:9)	2166	2113	2037	2162	62	1322	1146	1404	82	69	20
M100H	100" (16:9)	2374	2290	2214	2370	62	1421	1245	1503	82	69	20
M100H-E24	100" (16:9)	2374	2290	2214	2370	62	1917	1245	1999	82	69	20
M106UWH	106" (16:9)	2506	2423	2347	2502	62	1496	1320	1588	92	79.5	20
M120H	120" (16:9)	2816	2733	2657	2812	62	1670	1494	1762	92	79.5	20
M120H-E24	120" (16:9)	2816	2733	2657	2812	62	2166	1494	2258	92	79.5	20
M135H	135" (16:9)	3148	3065	2989	3144	62	1857	1681	1962	105	88	20
M150H	150" (16:9)	3484	3397	3321	3480	62	2044	1868	2149	105	88	20

Unit: mm

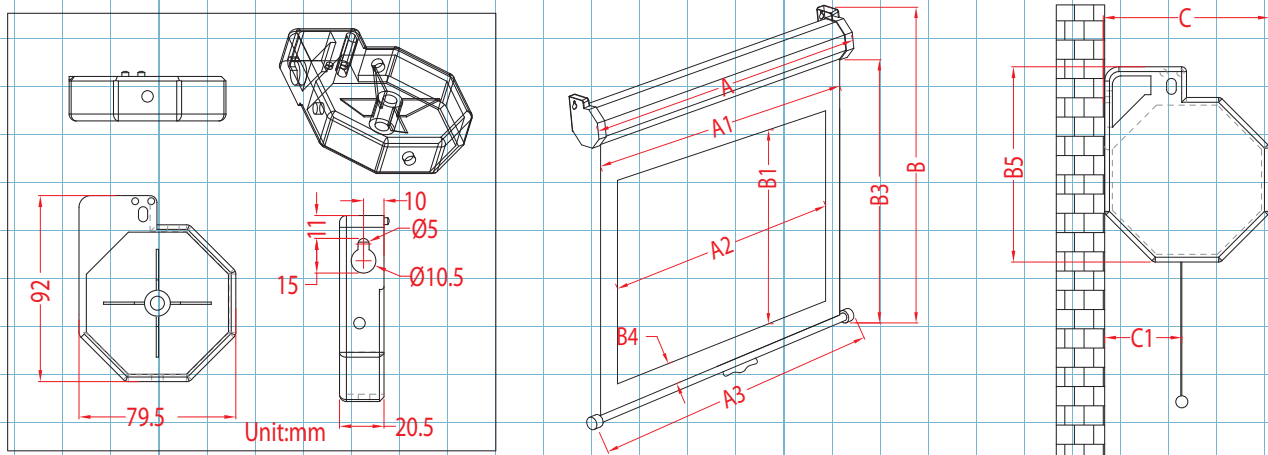
Can't find size and ratio you're looking for? Visit elitescreens.com/csr to create your own

Model	Screen Diag. & Aspect Ratio	Case Length (A)	Screen Width (A1)	View Width (A2)	Weight Bar Length (A3)	Bottom Edge Distance (B4)	Screen Material to Weight Bar Height (B3)	View Height (B1)	Overall Height (B)	End Cap Height (B5)	End Cap Width (C)	Distance from Screen material to wall (C1)
M71S	71" (1:1)	56.1	53.2	50.2	55.9	2.4	57.1	50.2	60.4	3.2	2.7	0.8
M85S	85" (1:1)	66.0	63.1	60.1	65.9	2.4	67.0	60.1	70.3	3.2	2.7	0.8
M99S	99" (1:1)	76.3	73.0	70.0	76.1	2.4	75.4	70.0	79.1	3.6	3.1	0.8
M113S	113" (1:1)	86.3	82.9	79.9	86.1	2.4	86.9	79.9	90.5	3.6	3.1	0.8
M119S	119" (1:1)	90.3	87.0	84.0	90.2	2.4	90.6	84.1	94.2	3.6	3.1	0.8
M136S	136" (1:1)	102.3	99.2	96.2	102.1	2.4	103.1	96.2	106.7	3.6	3.1	0.8
M170S	170" (1:1)	127.7	123.0	120.0	127.6	2.4	126.9	120.0	131.1	4.1	3.5	0.8
M94UWX	94" (1:1)	86.3	82.7	79.7	86.1	2.4	56.7	49.8	60.0	3.2	2.7	0.8
M128UWX	128" (1:1)	115.1	111.5	108.5	114.9	2.4	74.8	67.8	78.4	3.6	3.1	0.8
M80NWX	80" (4:3)	70.3	67.0	64.0	70.2	2.4	54.9	48.0	58.1	3.2	2.7	0.8
M84NWX	84" (4:3)	73.5	70.2	67.2	73.3	2.4	55.8	50.4	59.1	3.2	2.7	0.8
M100V	100" (4:3)	85.3	83.0	80.0	85.1	2.4	66.9	60.0	70.2	3.2	2.7	0.8
M120V	120" (4:3)	102.3	99.0	96.0	102.1	2.4	78.9	72.0	82.6	3.6	3.1	0.8
M135V	135" (4:3)	114.4	111.0	108.0	114.3	2.4	87.9	81.0	92.0	4.1	3.5	0.8
M150V	150" (4:3)	126.5	123.0	120.0	126.3	2.4	96.9	90.0	101.1	4.1	3.5	0.8
M84UWH	84" (16:9)	79.3	76.2	73.2	79.1	2.4	48.1	41.2	51.3	3.2	2.7	0.8
M84H-E30	84" (16:9)	79.3	76.2	73.2	79.1	2.4	73.6	41.2	76.9	3.2	2.7	0.8
M92UWH	92" (16:9)	85.3	83.2	80.2	85.1	2.4	52.0	45.1	55.3	3.2	2.7	0.8
M100UWH	100" (16:9)	93.5	90.2	87.2	93.3	2.4	55.9	49.0	59.2	3.2	2.7	0.8
M100H-E24	100" (16:9)	93.5	90.2	87.2	93.3	2.4	75.5	49.0	78.7	3.2	2.7	0.8
M106UWH	106" (16:9)	98.7	95.4	92.4	98.5	2.4	58.9	52.0	62.5	3.6	3.1	0.8
M120H	120" (16:9)	110.9	107.6	104.6	110.7	2.4	65.7	58.8	69.4	3.6	3.1	0.8
M120H-E24	120" (16:9)	110.9	107.6	104.6	110.7	2.4	85.3	58.8	88.9	3.6	3.1	0.8
M135H	135" (16:9)	123.9	120.7	117.7	123.8	2.4	73.1	66.2	77.2	4.1	3.5	0.8
M150H	150" (16:9)	137.2	133.7	130.7	137.0	2.4	80.5	73.5	84.6	4.1	3.5	0.8

Unit: inch

Can't find size and ratio you're looking for? Visit elitescreens.com/csr to create your own

The listed measurements are for general reference only. Please contact Elite Screens to verify product design and dimensions before attempting to integrate its products with any structural or furniture modification. Although a manufacturer may offer product advice, it may be taken or disregarded at the integrator's discretion. Elite Screens will not be held responsible or be otherwise liable for faulty installations.





Warranty Policy

- Two (2) Year parts and labor warranty from defects in workmanship from purchase date as follows (except for refurbished units as specified below).
- Three (3) Year parts and labor warranty from defects in workmanship for GEMR (Government, Educational, Military, & Religious) purchases of new product only.
- Refurbished Units carry a 90-DAY parts and labor warranty.
- Each party will be responsible for one way shipping during the warranty period.
- A RMA (Return Merchandise Authorization) number must be issued in order to process a replacement or to authorize a return for warranty repair. Elite Screens will, at its sole option replace or repair the defective unit with a replacement *(see exceptions below) after the defective unit or parts have been received. Once the product is received, Elite Screens will send out a replacement *unit to the customer by ground service (subject to inventory availability).
- Do Not Return Any Unauthorized Items to Elite Screens, as they will be refused and returned at your expense. The RMA Number must be included on the outside label of your shipping box. Our warehouse is not authorized to accept returns without an RMA number on the shipping label.
- RMA Numbers are valid for 45 days from the date issued.
- Missing Parts must be reported within 7 days of receipt. If reported after 7 days, the customer will be responsible for shipping and handling fees. If reported after 30 days of receipt, the customer will be responsible for cost of parts and shipping & handling fees.

* A New or refurbished replacement will be send out to the customer depending on the type of purchase (new or refurbished) and based on stock availability.

North America only U.S. and Canada

For Warranty and Service requests, please submit an RMA/Service Form at:
www.elitescreens.com/warrantysupportform

Please visit this link for full Warranty information:
www.elitescreens.com/warranty

For Customer Service and Technical questions, please contact Elite Screens at:
Telephone: (877) 511-1211 service@elitescreens.com
Fax: (562) 926-8433 techsupport@elitescreens.com

**Register your product at:
www.elitescreens.com**



Contact Information

US & Canada Tech Support & Warranty Claim

Please contact us at service@elitescreens.com or call +1 877.511.1211 #3 or fax +1.562.926.8433

Europe Tech Support & Warranty Claim

Please contact us at service@elitescreens.eu or call +49 (0) 40.30392958

Asia Tech Support & Warranty Claim

Please contact us at service@elitescreens.com.cn or call +86 (0) 755.8461.7989

Taiwan Tech Support & Warranty Claim

Please contact us at service@elitescreens.com.tw or call +866.2.8990.1999

Elite Screens America

16410 Manning Way | Cerritos | California 90703

www.elitescreens.com | info@elitescreens.com

Tel: 877.511.1211 | Fax: 1.562.926.8433

ASIA:

Elite Screens China Corp.

Longxi Duimianling Industry Zone
Longcheng Longgang District,
ShenZhen GuangDong, China
www.elitescreens.com.cn
info@elitescreens.com.cn
Tel: +86 (0) 755.8461.7989
Fax: +86 (0) 755.8461.7669

Elite Screens Taiwan Ltd.

1F. No. 38 Alley 22 Lane 66 Sec. 5
Nanjing E. Rd. Songshan District
Taipei City 105, Taiwan (R.O.C.)
www.elitescreens.com.tw
info@elitescreens.com.tw
Tel: 886 (0) 2.2747.8979

Elite Screens Japan Corp.

467-2-606 Tsuruma, Machida-shi,
Tokyo, 194-0004 Japan
www.elitescreens.jp
info@elitescreens.jp
Tel: 0120-07-0008
Fax: +81 (0) 42.706.9130

EUROPE:

Elite Screens Europe GmbH

Lübecker Straße 1
22087 Hamburg, Germany
www.elitescreens.eu
info@elitescreens.eu
Tel: +49.40.30392494
Fax: +49.40.49219200

Elite Screens France S.A.S

11, Allée William Penn
92150 Suresnes, France
www.elitescreens.com/fr
info.fr@elitescreens.com
Tel: +33.1.45064735
Fax: +33.1.45064735

LATIN AMERICA:

Elite Screens

www.elitescreens.com/sp
info.la@elitescreens.com

