

Parts List

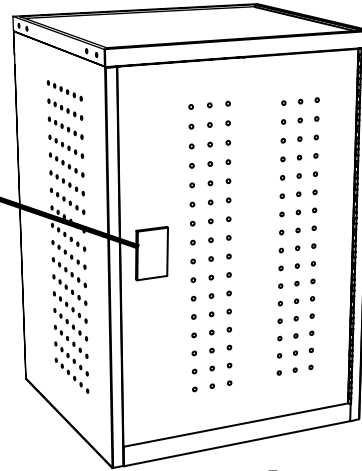
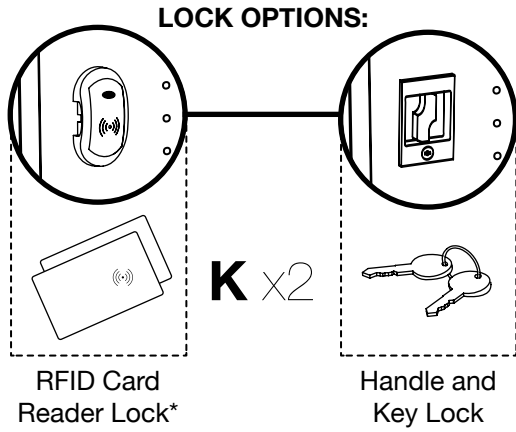
Tools Required

- Phillips Screwdriver
- Wrench

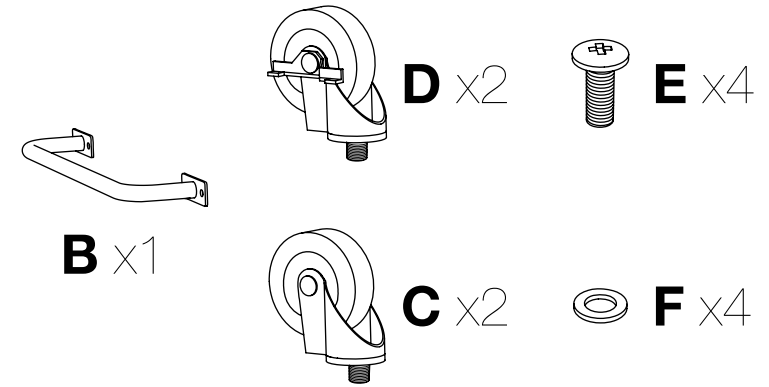
Optional Accessories for the RFID Lock*:

RFID Card Pack

RFID Backup Battery Pack

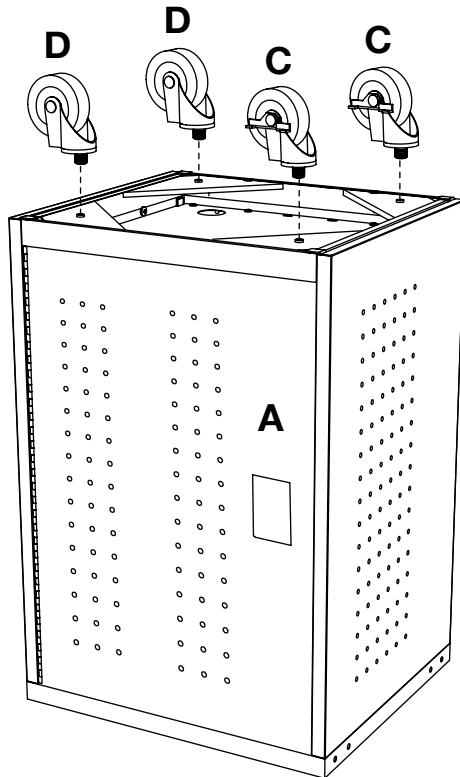


A x1



* Only available on the 30 Tablet Cart.

1



2

