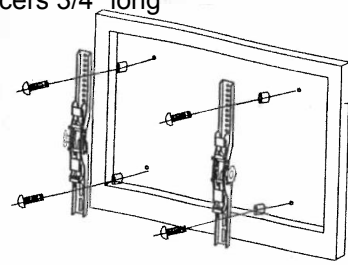
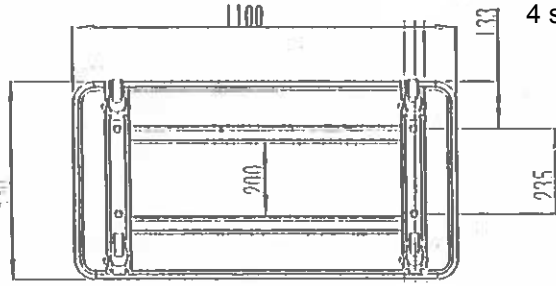
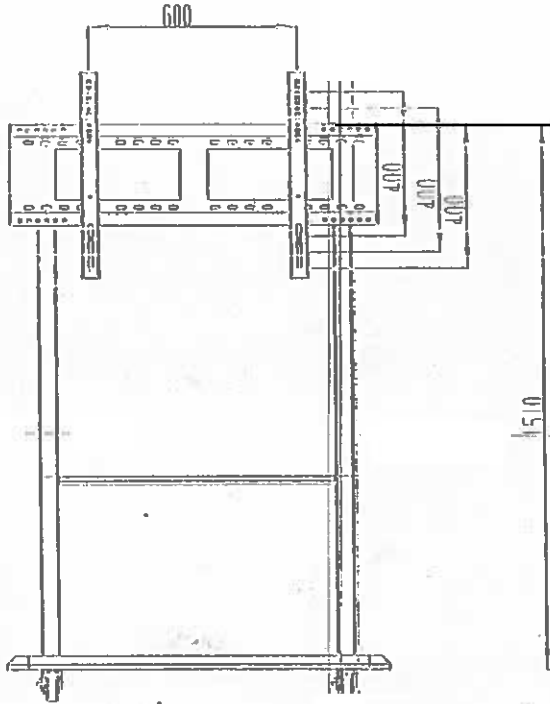


Attach panel with 4 bolts with spacers.  
 4 bolts M8 1.25 x 40 mm (1.6" long)  
 4 spacers 3/4" long

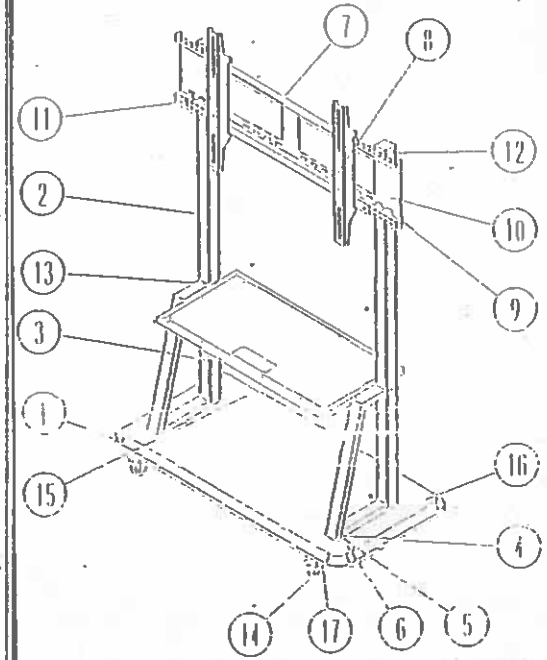
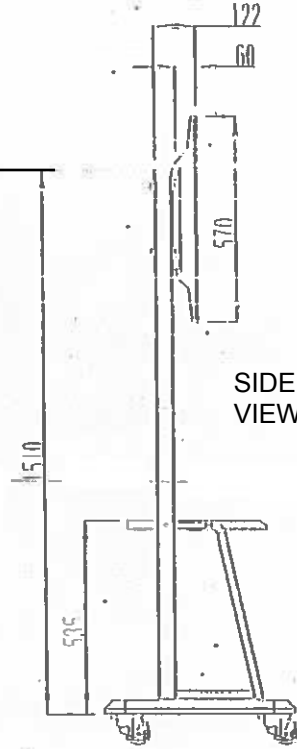
TOP VIEW



FRONT VIEW



SIDE VIEW



|    |                          |                        |    |
|----|--------------------------|------------------------|----|
| 10 | 8-ZH-G8859               | spring washer          | 4  |
| 9  | 8-ZH-G8848               | small washer-A         | 8  |
| 8  | ST01-M020-05-00-00       | left and right hook    | 2  |
| 7  | ST01-M020-04-00-00       | scaleboard mount plate | 1  |
| 6  | M12x25-ZH                | hexagon headed bolt    | 4  |
| 5  | 12-ZH-G8848              | small washer-A         | 4  |
| 4  | 12-ZH-G8859              | spring washer          | 4  |
| 3  | ST02-M020-03-00-00       | laminate - Shelf       | 1  |
| 2  | ST01-M020-02-00-00(零件为左) | support, Post          | 2  |
| 1  | ST01-M020-01-00-00       | base                   | 1  |
| #  | PART                     |                        | CT |

|    |                   |                      |    |
|----|-------------------|----------------------|----|
| 17 | M6x16-ZH          | hexagon headed bolt  | 16 |
| 16 | 6-ZH-G8859        | spring washer        | 16 |
| 15 | 6-ZH-G8848        | small washer-A       | 16 |
| 14 | 2L5-1L            | caster - Wheel       | 4  |
| 13 | M6x16-ZH 089074.4 | cross pan head screw | 4  |
| 12 | M8-ZH-G86170      | hexagon headed bolt  | 4  |
| 11 | M8x35-ZH          | hexagon headed bolt  | 4  |
| #  |                   |                      |    |

ITPSTAND  
 DUKANE AV DIV  
 9-20-16  
 ITP Stand User Guide voo