

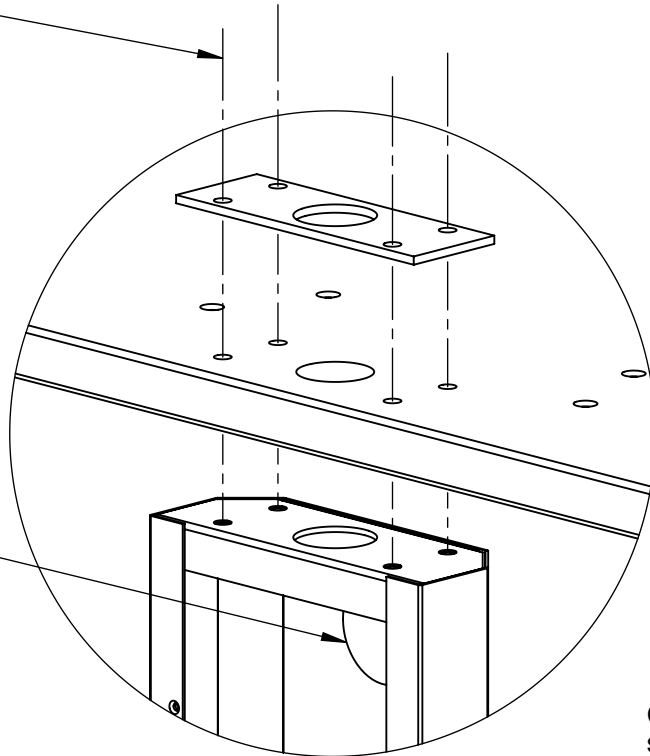
STEP 1: TABLE AND MONITOR SUPPORT ASSEMBLY

RECOMMENDED ASSEMBLY SEQUENCE:

1. Monitor Support
2. Electrical Enclosure, Power Cords, Outlet Strip
3. Trough / Control Box
4. Legs
5. Shelves
6. Back of Monitor Support

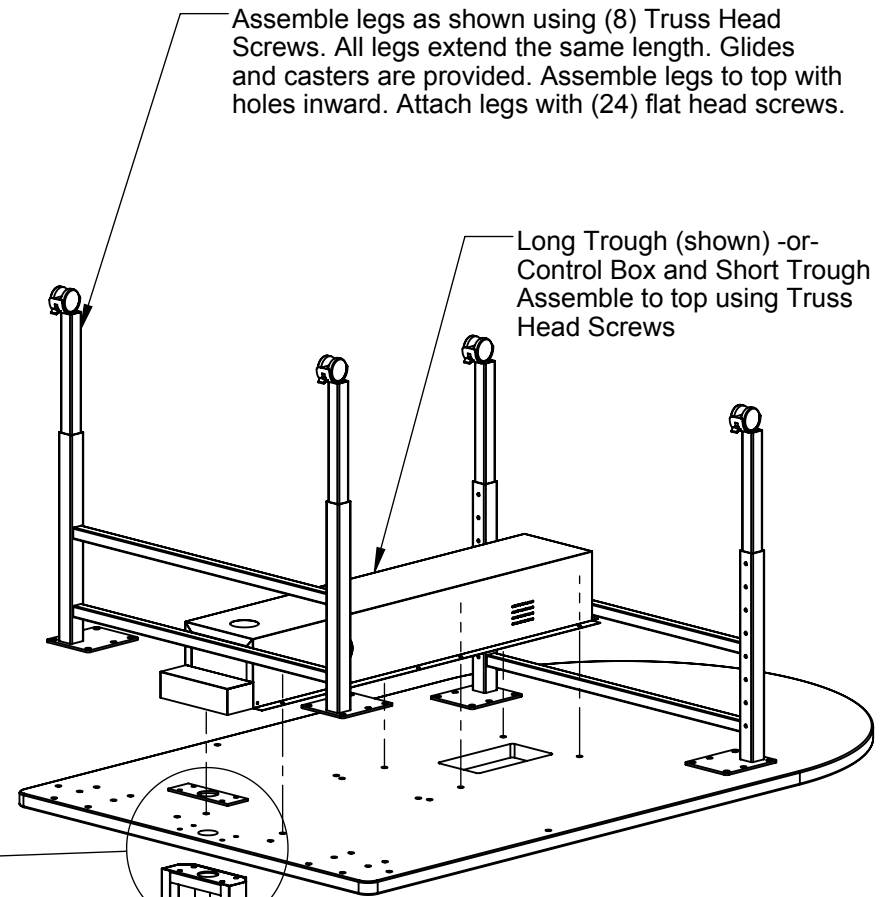
Bolt and Washer
(4 ea)

Note location of
knockout



Assemble legs as shown using (8) Truss Head Screws. All legs extend the same length. Glides and casters are provided. Assemble legs to top with holes inward. Attach legs with (24) flat head screws.

Long Trough (shown) -or-
Control Box and Short Trough
Assemble to top using Truss Head Screws



**NOTE ORIENTATION
OF MONITOR SUPPORT!**

Camera shelf holes
should be furthest
from worksurface!

SHEET 1 OF 2

STEP 2: ASSEMBLY- SUPPORT AND MONITOR

